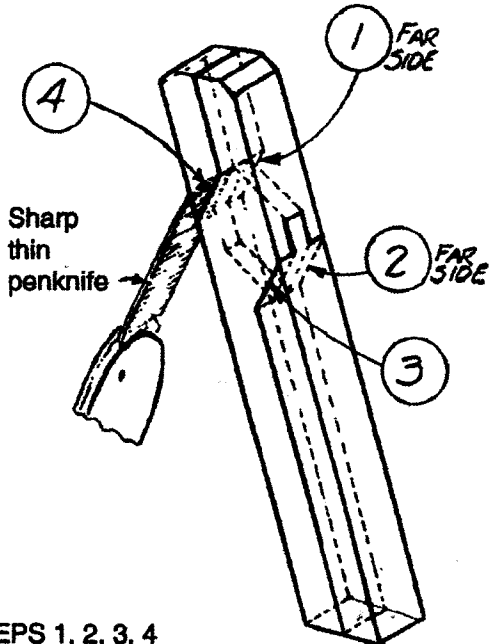
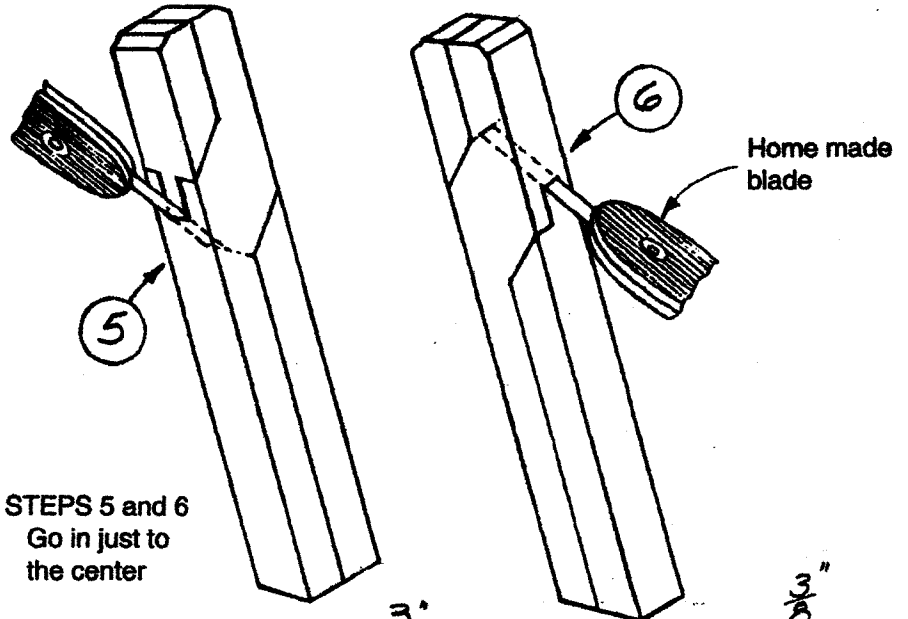


Pliers From a Single Piece of Wood

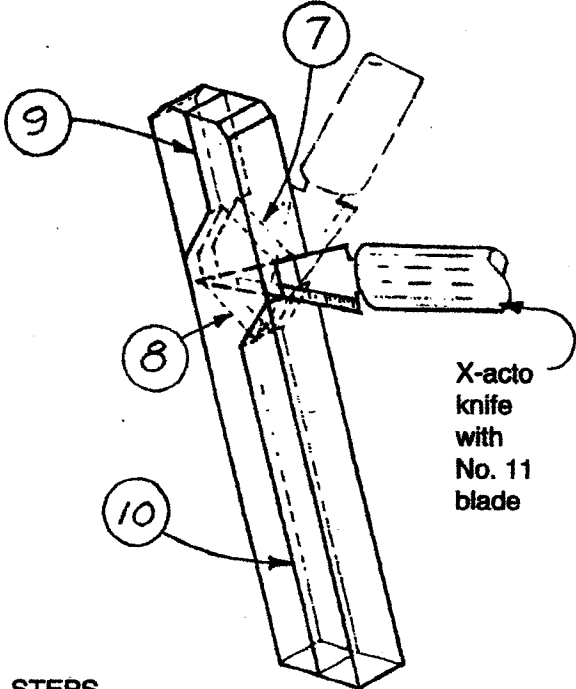
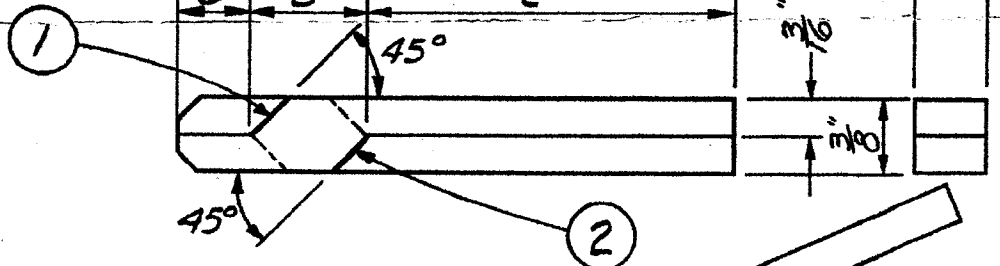
Several members have recently written asking for information on whittling a pair of pliers from one piece of wood. We pulled from our March-April 1971 files information and illustration by John H. Brant, Bay Village, Ohio, who drew up the pattern for making the famous Ernest Warther pliers, and we are reprinting the feature.



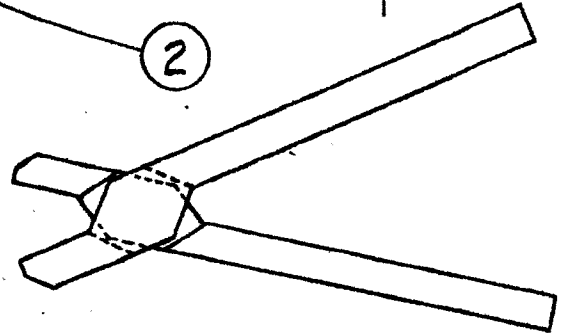
STEPS 1, 2, 3, 4
Go in about 1/3 of the way



STEPS 5 and 6
Go in just to the center



STEPS
7 and 8 go all the way through at hinge only
9 and 10 go from hinge to ends only



Even though three types of knives are shown — the X-acto No. 11 blade is good for all cuts (use holder ST-3). Use white-pine (straight grain) or basswood for good results. Follow the steps in order shown. Do it the same way over and over for safety and speed's sake! Hold the knife steady in one hand and wiggle the wood with the other. Keep daylight between you and the blade in case of slips, splits, or snapping blade.